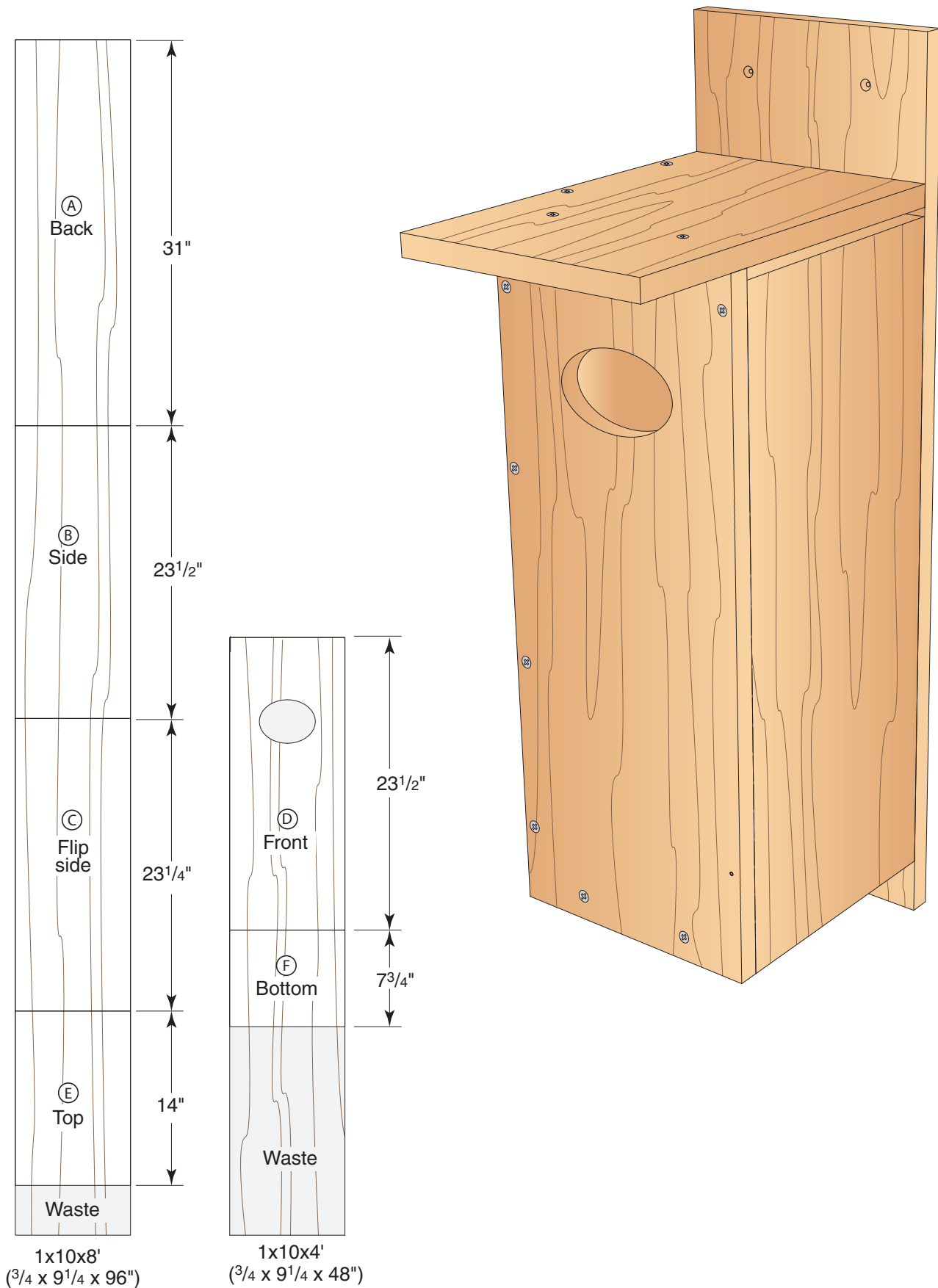
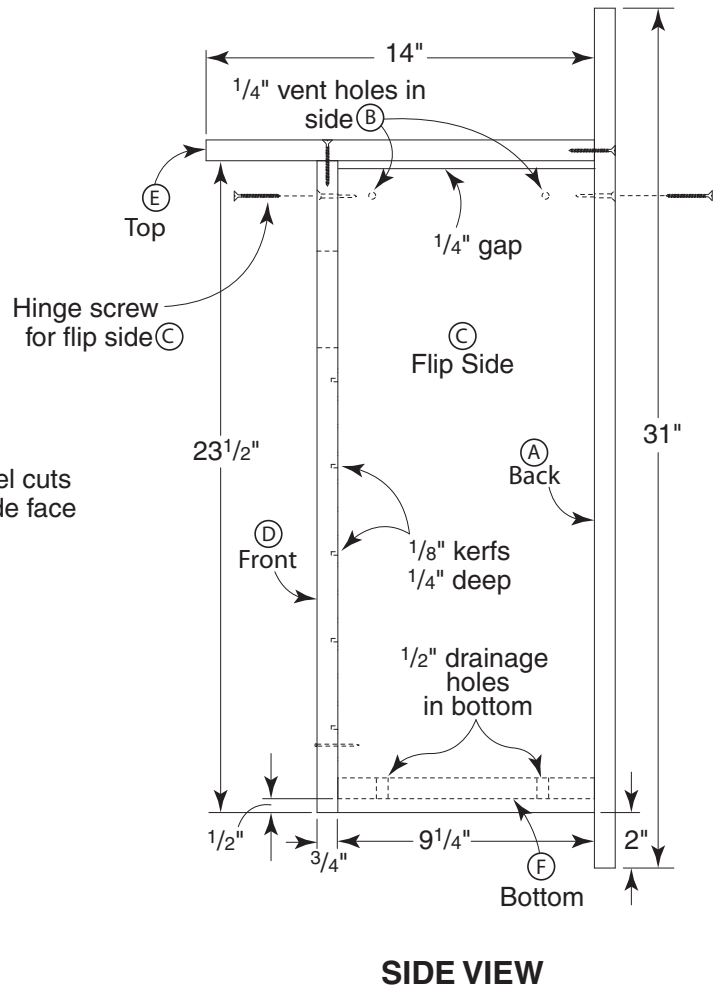
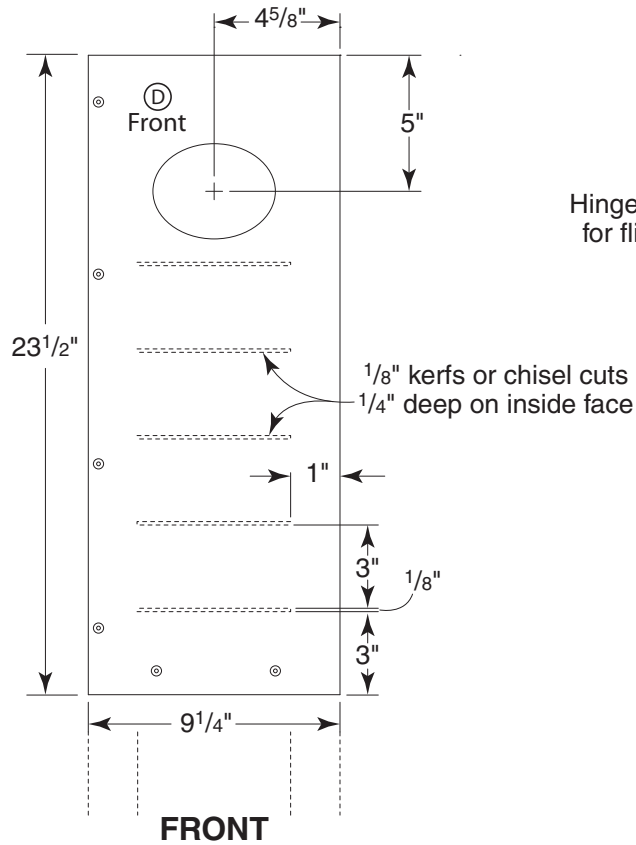
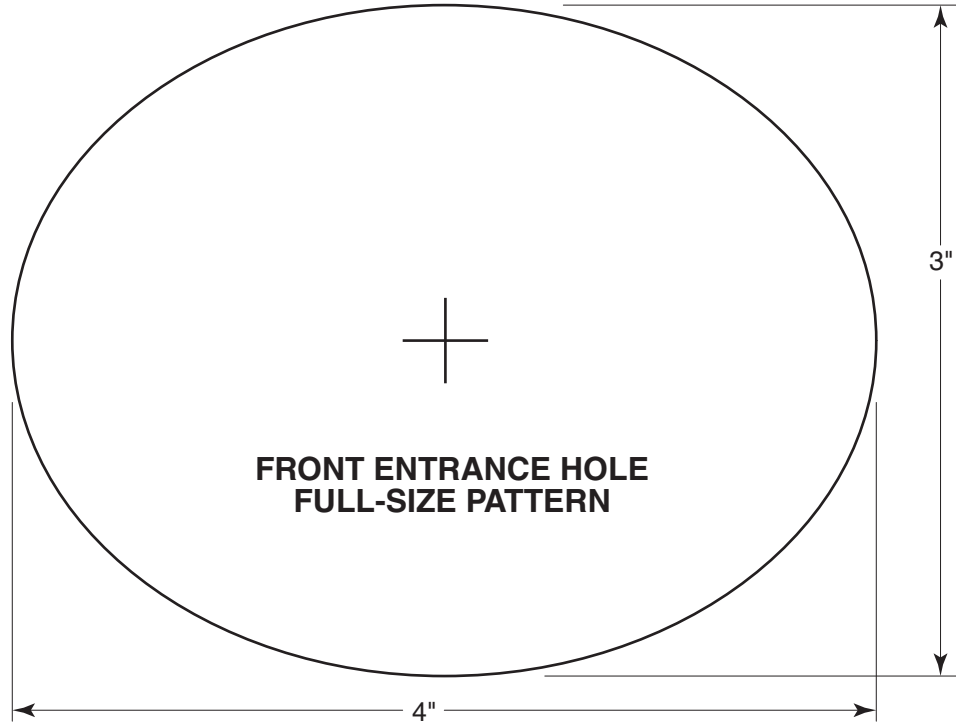


# WOOD DUCK NESTING BOX PLAN

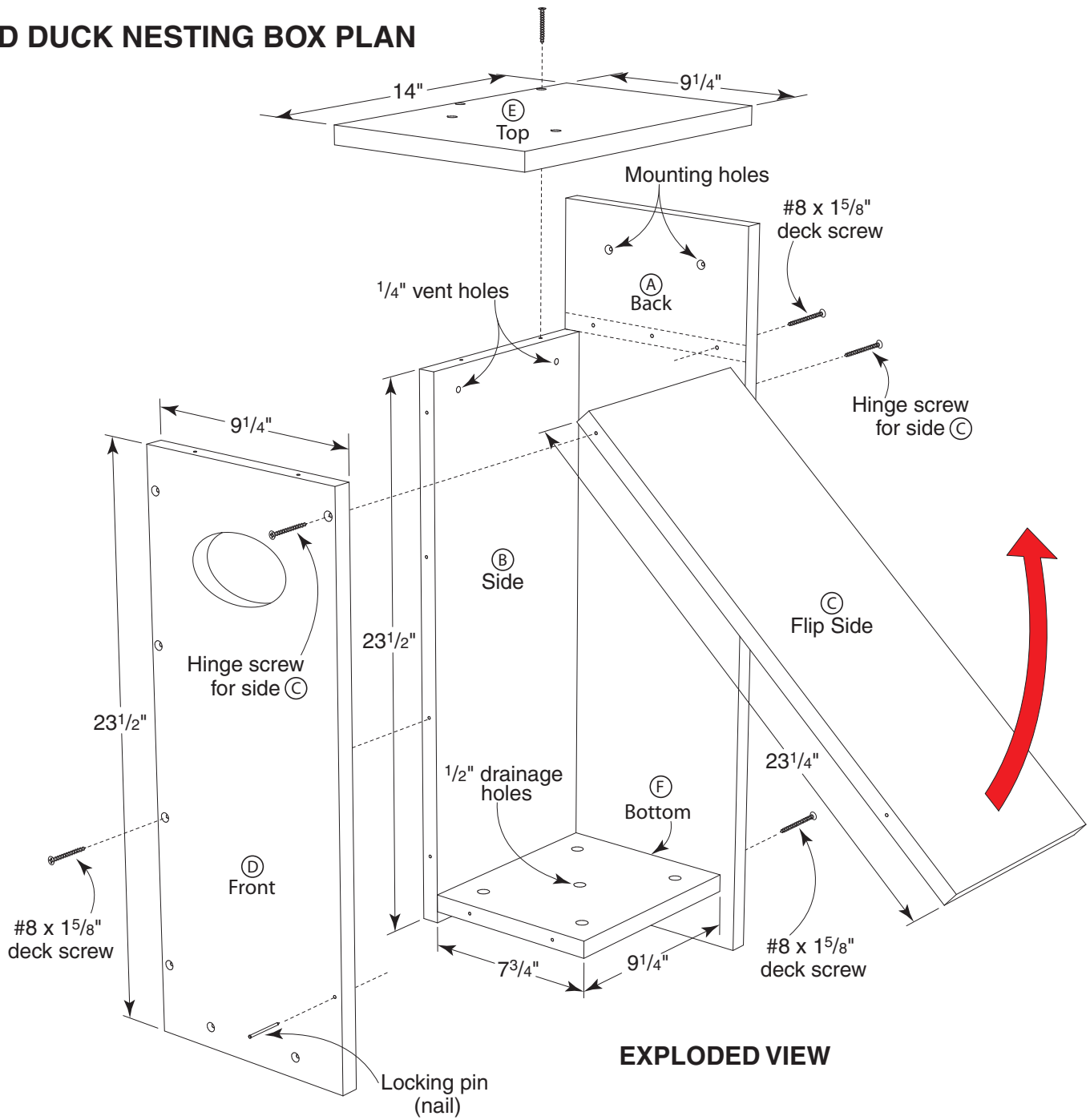


**CUTTING DIAGRAM**

# WOOD DUCK NESTING BOX PLAN



# WOOD DUCK NESTING BOX PLAN



**EXPLODED VIEW**

MATERIALS LIST FOR WOOD DUCK NESTING BOX						
Parts	Thickness	Width	Length	Material	Pieces	
A	back	3/4"	9 1/4"	31"	C	1
B	side	3/4"	9 1/4"	23 1/2"	C	1
C	flip side	3/4"	9 1/4"	23 1/4"	C	1
D	front	3/4"	9 1/4"	23 1/2"	C	1
E	top	3/4"	9 1/4"	14"	C	1
F	bottom	3/4"	9 1/4"	7 3/4"	C	1
Choice of cedar, redwood, cypress, or painted white pine						