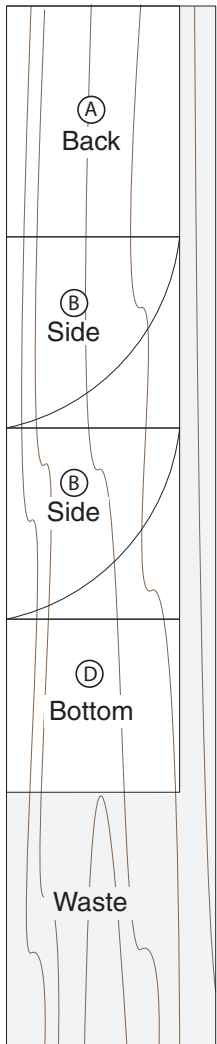
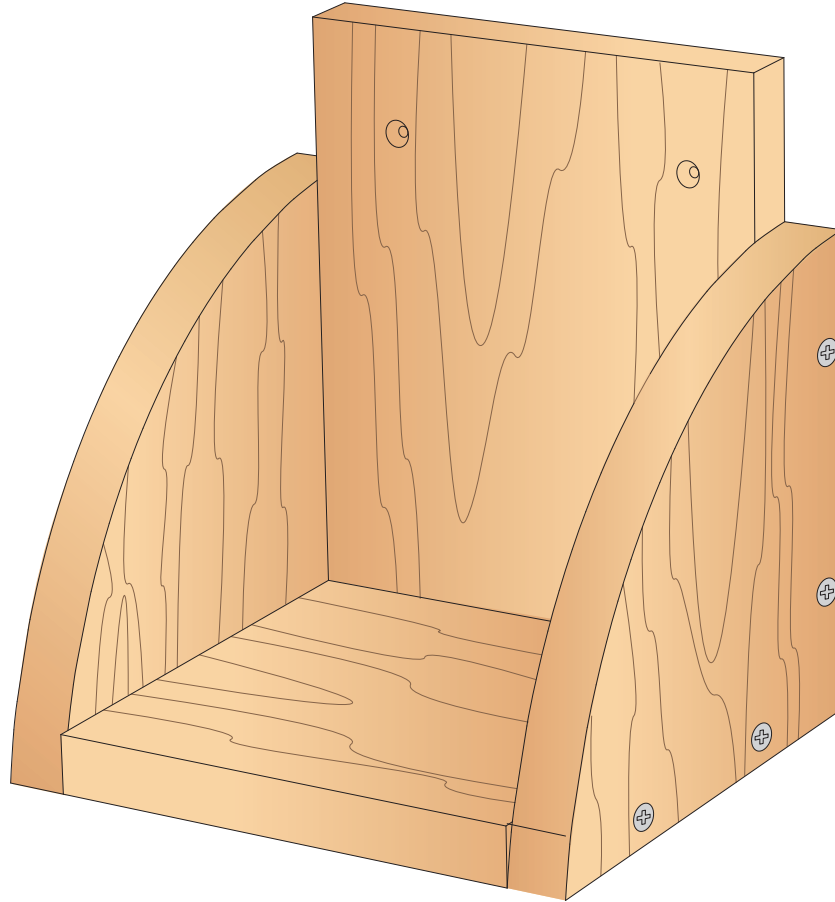
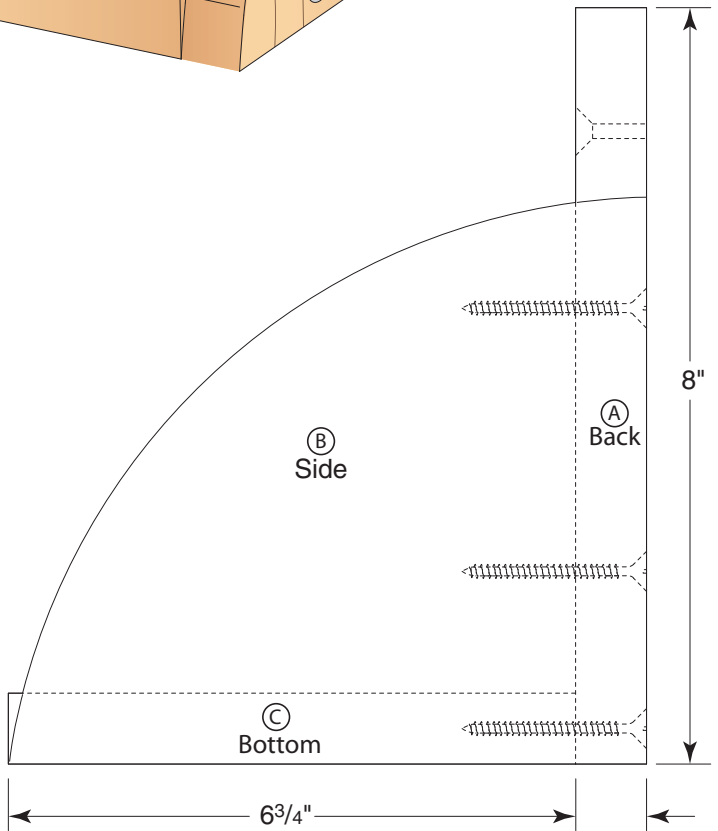


# NESTING SHELF FOR ROBINS AND PHOEBES



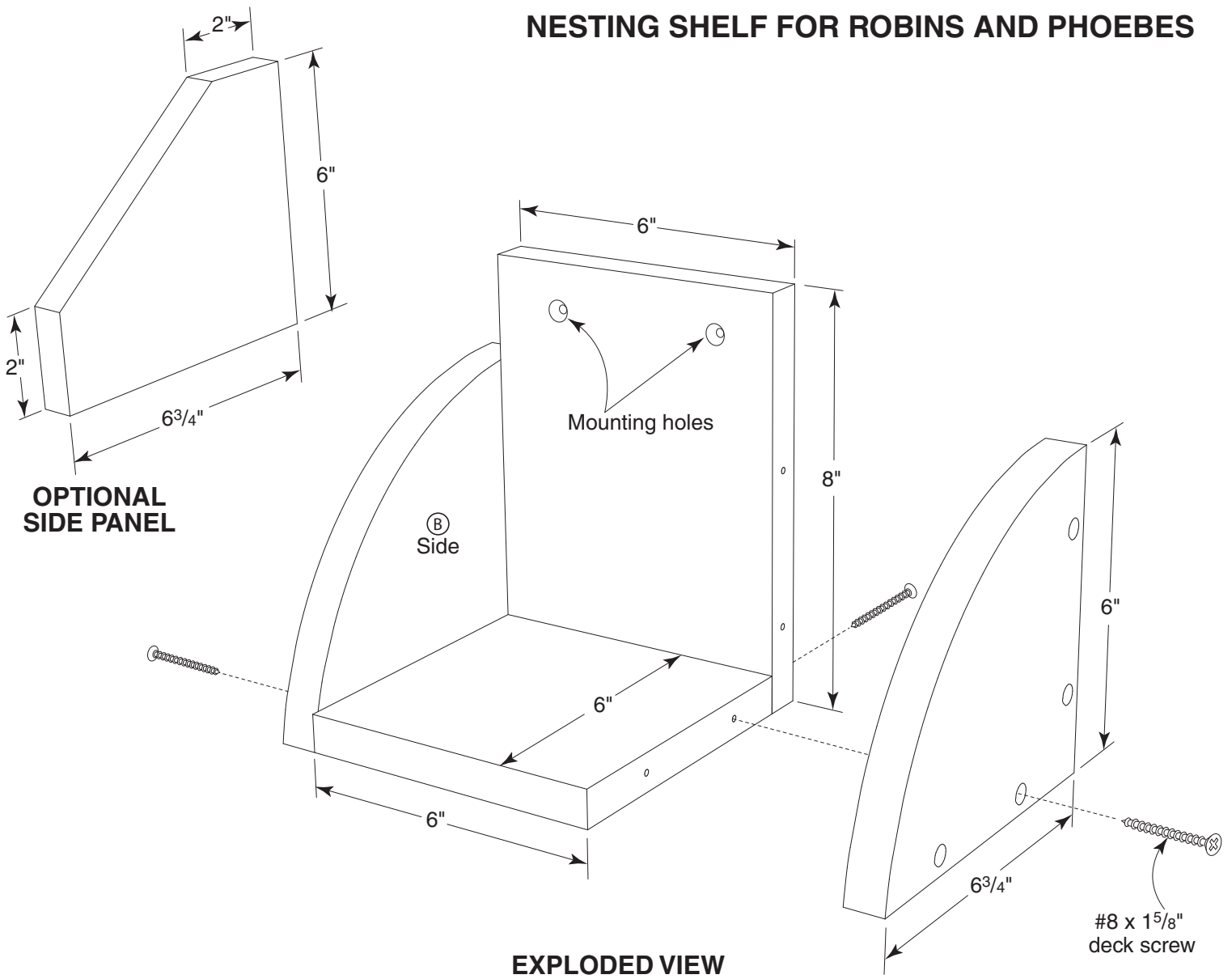
1x8x3'  
(3/4 x 7 1/4 x 36")



**SIDE VIEW**

## CUTTING DIAGRAM

# NESTING SHELF FOR ROBINS AND PHOEBES



## MATERIALS LIST FOR NESTING SHELF

	Parts	Thickness	Width	Length	Material	Pieces
A	back	3/4"	6"	8"	C	1
B	sides	3/4"	6"	6 3/4"	C	2
C	bottom	3/4"	6"	6"	C	1
Choice of cedar, redwood, cypress, or painted white pine						