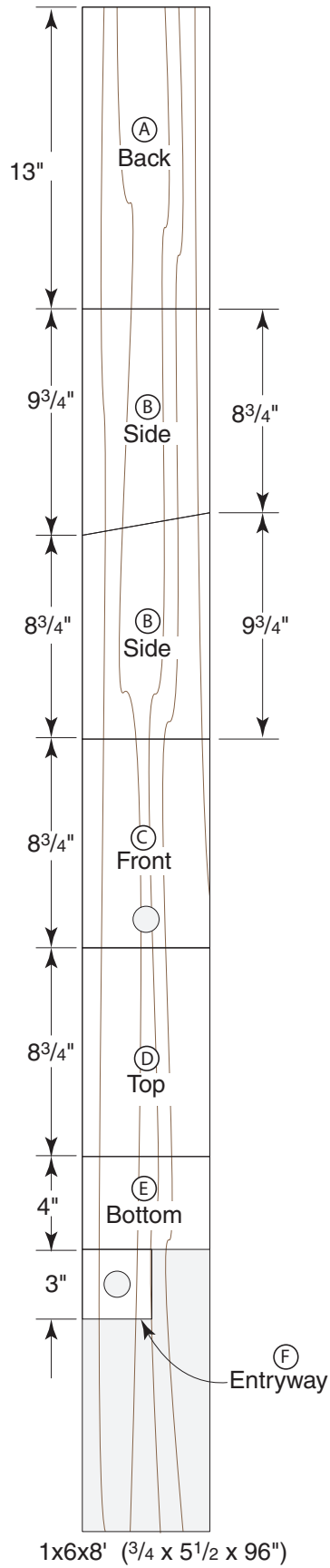
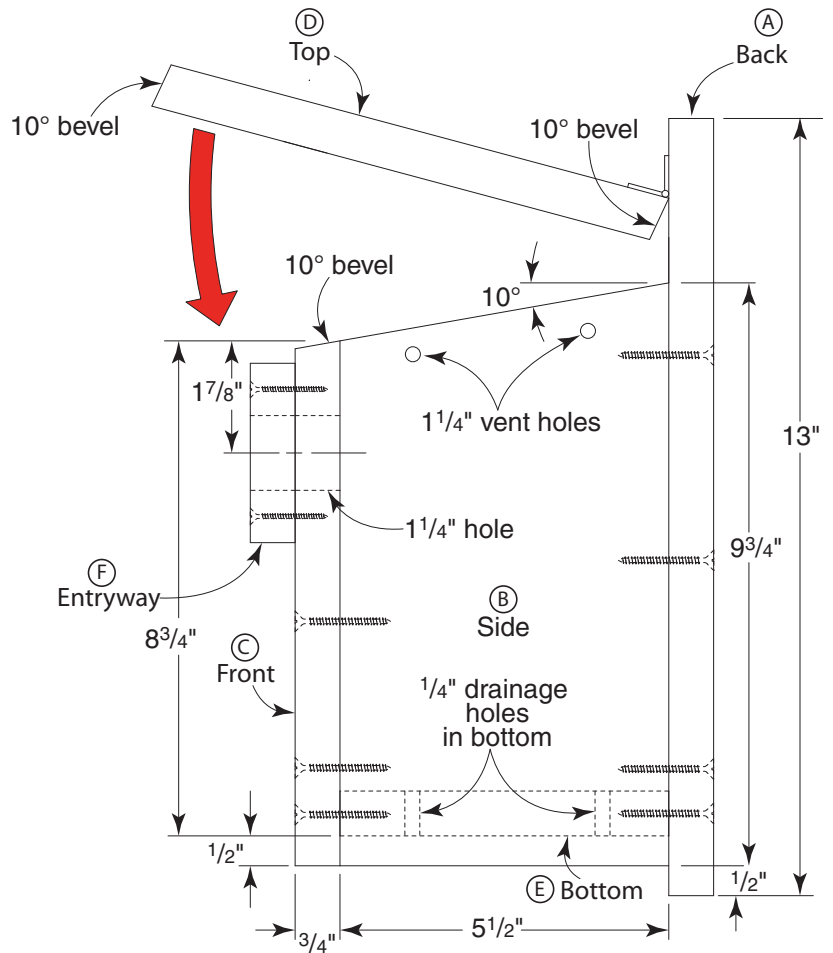
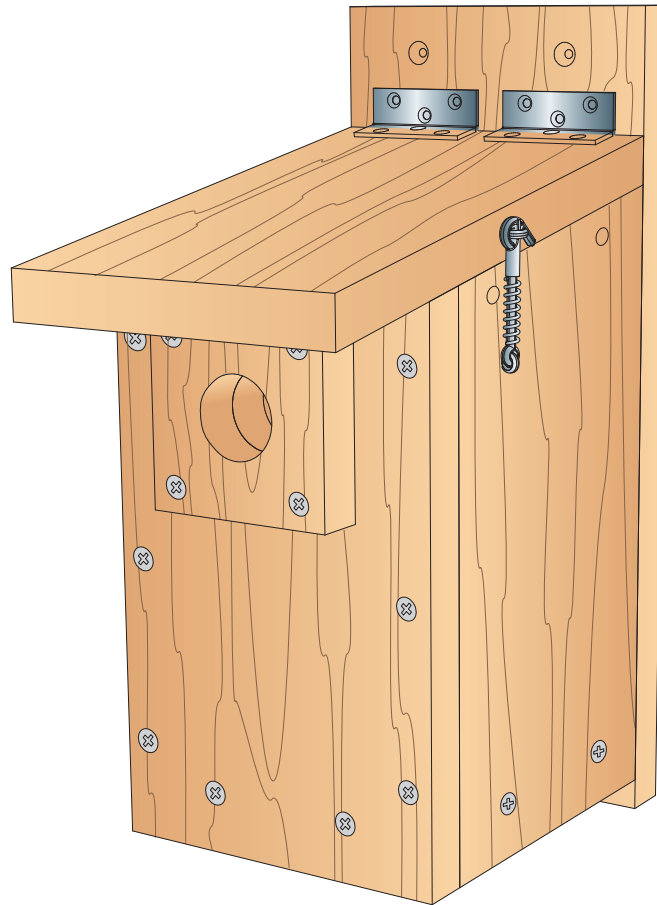


DOWNY WOODPECKER NESTING BOX PLAN

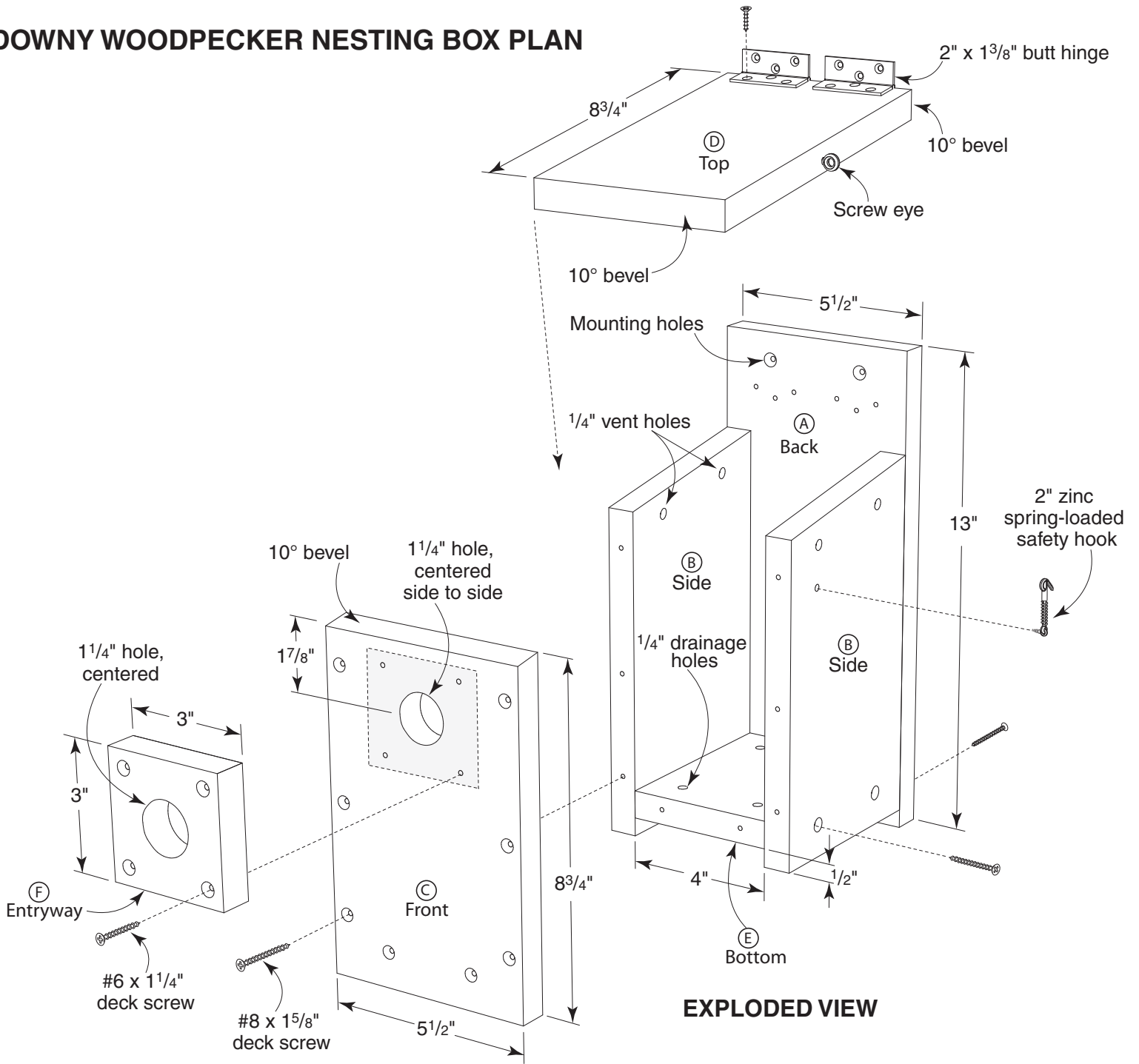


CUTTING DIAGRAM



SIDE VIEW

DOWNY WOODPECKER NESTING BOX PLAN



MATERIALS LIST FOR DOWNY WOODPRCKER NESTING BOX						
	Parts	Thickness	Width	Length	Material	Pieces
A	back	3/4"	5 ¹ / ₂ "	13"	C	1
B	sides	3/4"	5 ¹ / ₂ "	9 ³ / ₄ "	C	2
C	front	3/4"	5 ¹ / ₂ "	8 ³ / ₄ "	C	1
D	top	3/4"	5 ¹ / ₂ "	8 ³ / ₄ "	C	1
E	bottom	3/4"	5 ¹ / ₂ "	4"	C	1
F	entryway	3/4"	3"	3"	C	1

Choice of cedar, redwood, cypress, or painted white pine