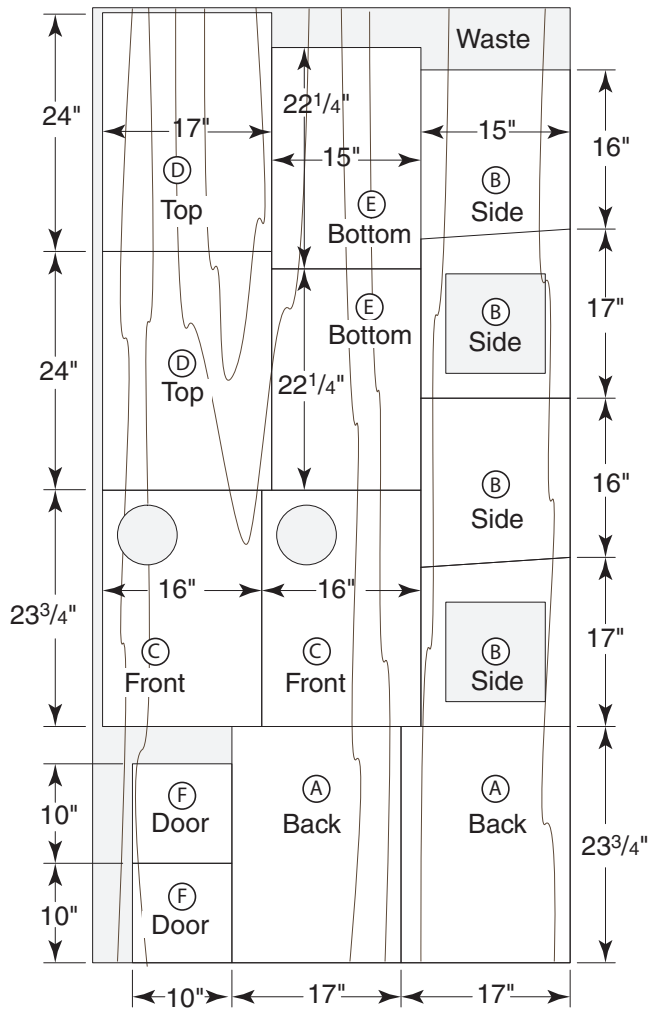
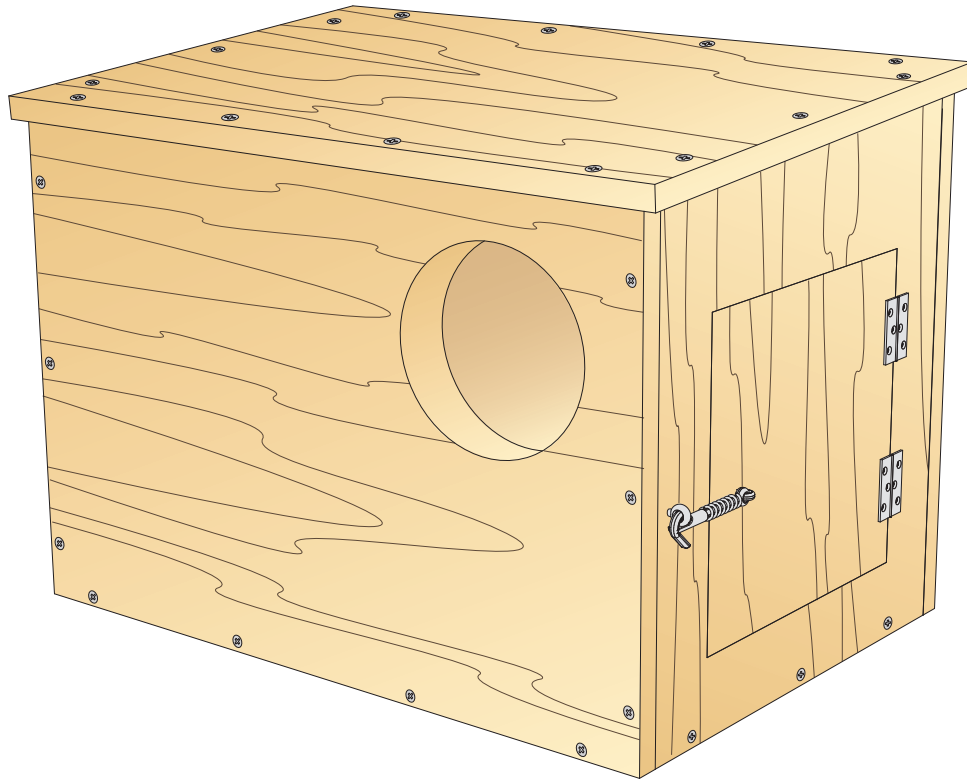
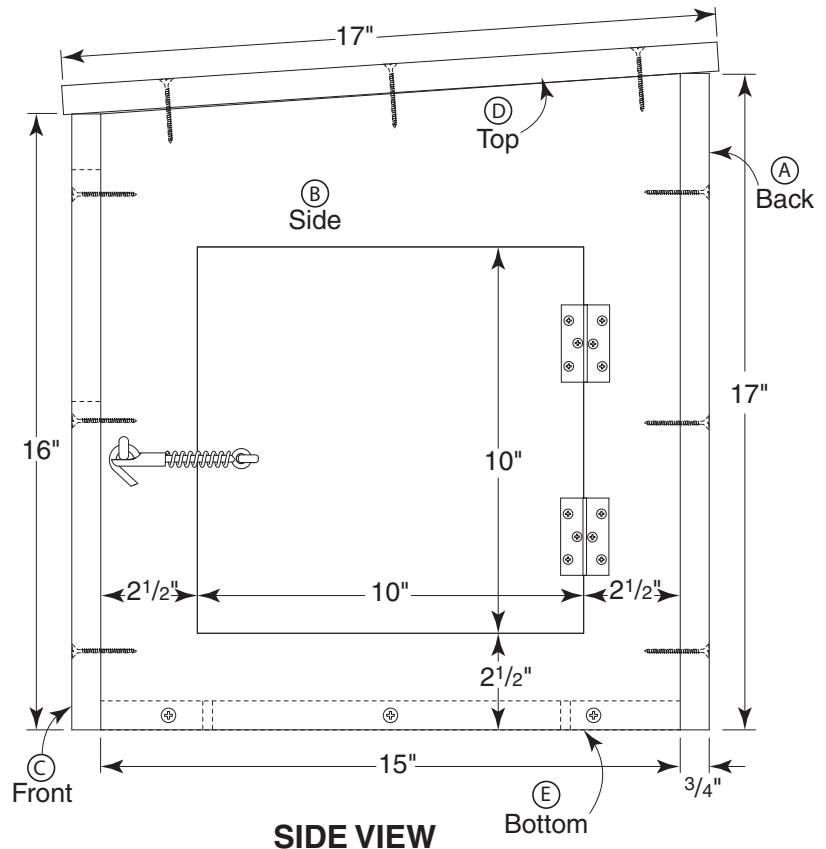


BARN OWL NESTING BOX PLAN



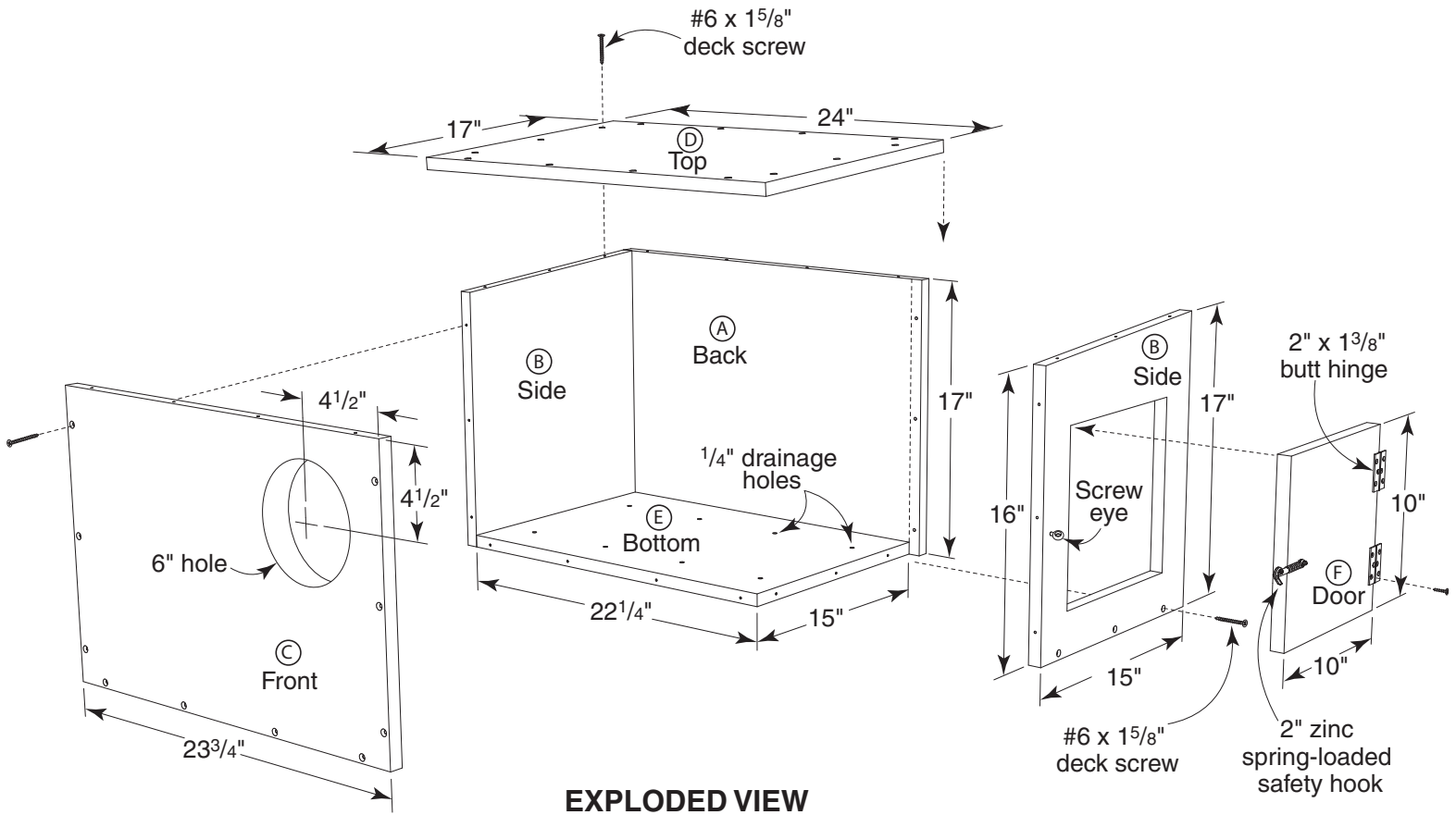
3/4 x 48 x 96" plywood



SIDE VIEW

CUTTING DIAGRAM
(2 OWL NESTING BOXES)

BARN OWL NESTING BOX PLAN



| MATERIALS LIST FOR BARN OWL NESTING BOX | | | | | | |
|---|-----------|-------|--------|----------|--------|---|
| Parts | Thickness | Width | Length | Material | Pieces | |
| A | back | 3/4" | 17" | 23 3/4" | C | 1 |
| B | sides | 3/4" | 15" | 17" | C | 2 |
| C | front | 3/4" | 16" | 23 3/4" | C | 1 |
| D | top | 3/4" | 17" | 24 | C | 1 |
| E | bottom | 3/4" | 15" | 22 1/4" | C | 1 |
| F | door | 3/4" | 10" | 10" | C | 1 |
| C-choice of cedar siding, plywood | | | | | | |